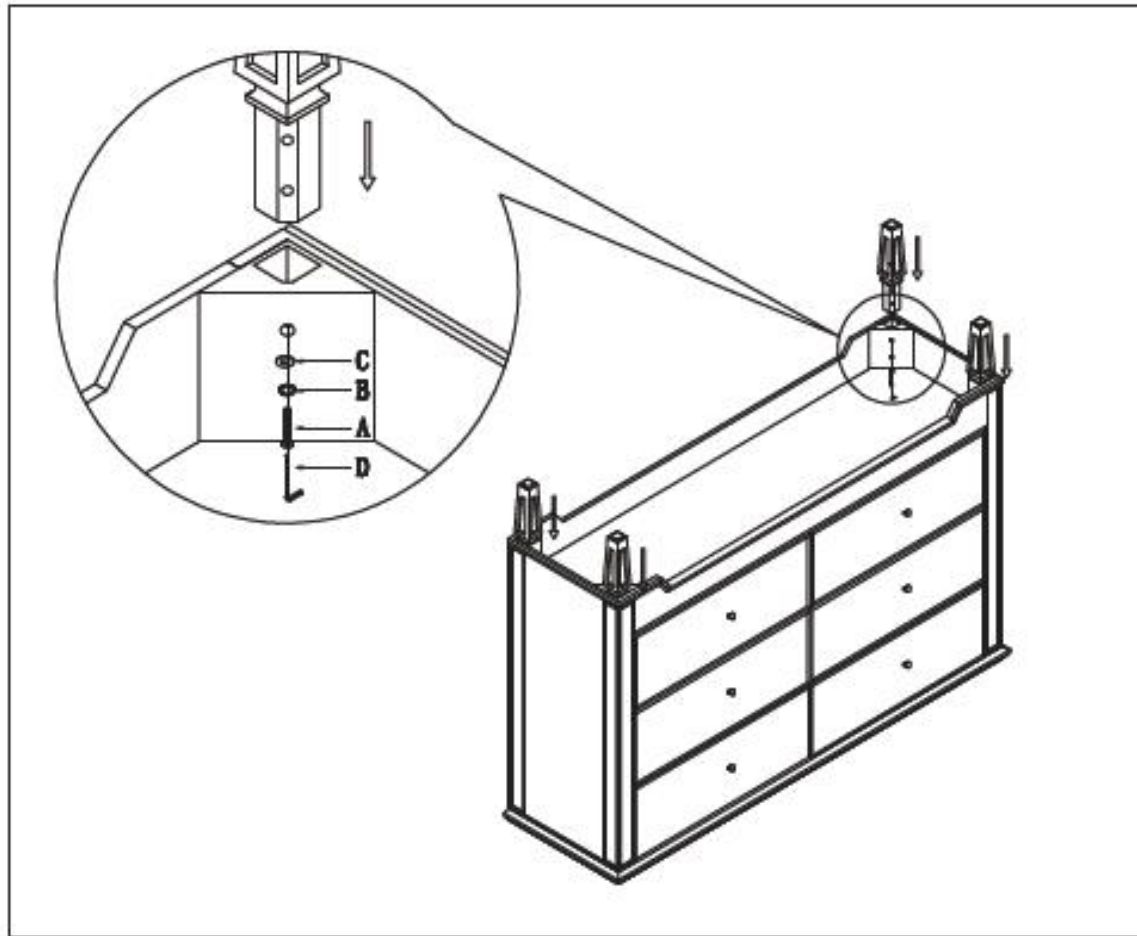






ASSEMBLY INSTRUCTION



HARDWARE LIST

| No | FIGURE  | DESCRIPTION     | Q'TY |
|----|---|-----------------|------|
| A  |  | BIGGER HEX BOLT | 8    |
| B  |  | SPRING WASHER   | 8    |
| C  |  | FLAT WASHER     | 8    |
| D  |  | ALLEN KEY       | 1    |

